



PART NUMBER:	DATE:
PROJECT #:	TYPE:
PREPARED BY:	

F4P BRONZE GROUND CLAMPS TECHNICAL DATA SHEET

PRODUCT DESCRIPTION

Bronze ground clamp for bonding bare copper wire to water pipe for use as a water meter shunt.



FEATURES

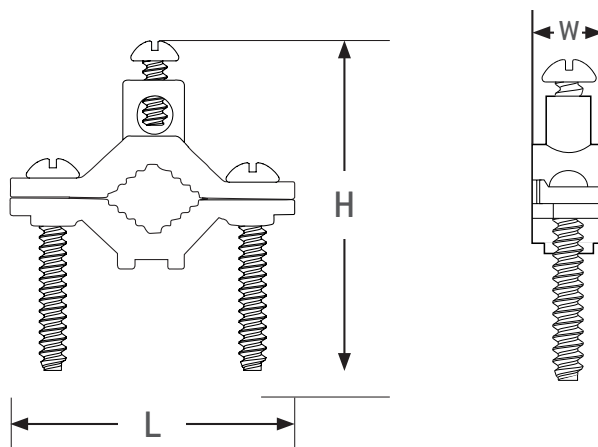
- Bronze Ground Clap for Bonding Bare Copper Wire to Water Pipe or for Use as a Water Meter Shunt
- Zinc Plated Steel Screws

STANDARDS & SPECIFICATIONS

UL Reference Number: E475704

MADE IN INDIA

LINE DRAWING





PART NUMBER:	DATE:
PROJECT #:	TYPE:
PREPARED BY:	

PHYSICAL SPECIFICATIONS

PART NUMBER	PIPE SIZE (IPS)	GROUND WIRE RANGE	LENGTH (L)	WIDTH (W)	HEIGHT (H)
F4P GPC-1	1/2" - 1"	10 SOL - 2 STR	2.280	0.650	1.400
F4P GPC-2	1 1/4" - 2"	10 SOL - 2 STR	3.600	0.750	1.690
F4P GPC-4	2 1/2" - 4"	10 SOL - 2 STR	6.350	0.970	3.750
F4P GPC-1DB	1/2" - 1"	10 SOL - 2 STR	2.280	0.650	1.400

ORDERING INFORMATION

PART NUMBER	STOCK CODE	DESCRIPTION	CASE QTY.
F4P GPC-1	0302-7489	GROUND CLAMP 1/2"-1"	20
F4P GPC-2	0302-7501	GROUND CLAMP 1-1/4"-2"	10
F4P GPC-4	0302-7504	GROUND CLAMP 2-1/2"-4"	6
F4P GPC-1DB	0302-7507	GROUND CLAMP 1/2-1" (BRASS)	20

Application and Performance Specification is Subject to Change Without Notification.

RESOURCES

MSDS/EDS/PRODUCT DATA SHEETS: f4p-usa.com

CUSTOMER SERVICE: 772-408-5211

DISCLAIMER

Recommendations for use of this product are based on tests we believe to be reliable. Manufacturer and seller are not responsible for results where this product is used under conditions beyond our control. If when applied as directed, this material peels, cracks or separates, it will be replaced without charge upon presentation of proof of purchase and used cartridge. This limited warranty only applies to residential use and damages including consequential damage and other remedies. No other warranties apply, including fitness for a particular purpose.