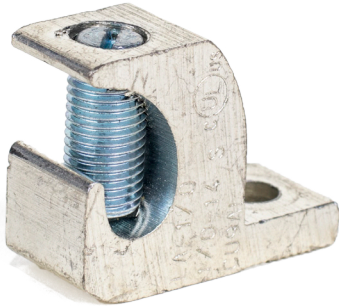




PART NUMBER:	DATE:
PROJECT #:	TYPE:
PREPARED BY:	



F4P LAY-IN LUGS SERIES SPECIFICATION

Lay-in lugs are ideal for both grounding and continuous loop applications. Made of aluminum alloy and tin plated for low contact resistance, they are suitable for use with both copper and aluminum conductors. Rated for 600V. Lay-in lugs are used for grounding or in continuous loop bonding and are available in several variations, depending on the application.

FEATURES

- Lay-in Connectors Offer the Ultimate in Flexibility
- Excellent for Grounding and Continuous Loop Applications
- Made of 606TT-6 Aluminum Alloy
- Electro-tin Plated for Low Contact Resistance
- For Use With Copper or Aluminum Conductors

F4P LLC-4DB & F4P LLTPC-4DB

- Copper Bodies with Stainless Steel Screws, are UL Listed for Direct Burial in Earth or Concrete with Copper Wire
- cULus Listed 467 Grounding and Bonding

PHYSICAL SPECIFICATIONS

PART NUMBER	MATERIAL	WIRE RANGE	USE	LENGTH (L)	WIDTH (W)	HEIGHT (H)
F4P LLC-4DB	Copper With Stainless Steel Screws	4 - 14 AWG	Direct Burial for CU Wire Only	1.312	0.396	0.908
F4P LLTPC-4DB	Tin-Plated Copper With Stainless Steel Screws	4 - 14 AWG	Direct Burial for CU Wire Only	1.312	0.396	0.908
F4P LLA-4	Tin-Plated Aluminum With Stainless Steel Screws	4 - 14 AWG	General Use for AL/CU Wire	1.070	0.380	0.750
F4P LLA-0	Tin-Plated Aluminum With Steel Screws	1/0 - 8 AWG	General Use for AL/CU Wire	1.500	0.600	1.100
F4P LLA-250	Tin-Plated Aluminum With Steel Screws	250 MCM-6 AWG	General Use for AL/CU Wire	2.200	0.800	1.700

PERFORMANCE SPECIFICATIONS

Temperature Rating: 194°F (90°C)
Voltage: 600V (2000V Max.)

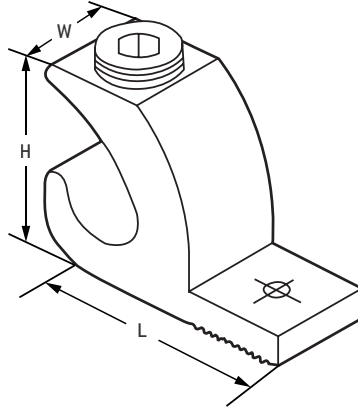
Max. Voltage: 2000V Max.
Certifications: cULus Listed

Application and Performance Specification is Subject to Change Without Notification.



PART NUMBER:	DATE:
PROJECT #:	TYPE:
PREPARED BY:	

LINE DRAWING



ORDERING INFORMATION

Part Number: F4P LLC-4DB

Part Number: F4P LLTPC-4DB

Part Number: F4P LLA-4

Part Number: F4P LLA-0

Part Number: F4P LLA-250

Stock Code: 0302-7537

Stock Code: 0302-7540

Stock Code: 0294-6207

Stock Code: 0294-6201

Stock Code: 0294-6204

Case Quantity: 100

Case Quantity: 100

Case Quantity: 100

Case Quantity: 40

Case Quantity: 20

Application and Performance Specification is Subject to Change Without Notification.



PART NUMBER:	DATE:
PROJECT #:	TYPE:
PREPARED BY:	

F4P BRONZE GROUND CLAMPS SERIES SPECIFICATION



Bronze ground clamp for bonding bare copper wire to water pipe for use as a water meter shunt.

FEATURES

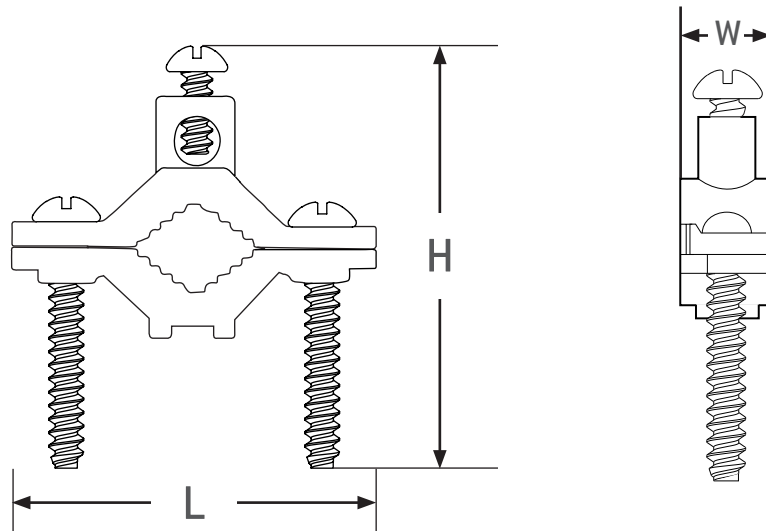
- Bronze Ground Clap for Bonding Bare Copper Wire to Water Pipe or for Use as a Water Meter Shunt
- Zinc Plated Steel Screws



PHYSICAL SPECIFICATIONS

PART NUMBER	PIPE SIZE (IPS)	GROUND WIRE RANGE	LENGTH (L)	WIDTH (W)	HEIGHT (H)
F4P GPC-1	1/2" - 1"	10 SOL - 2 STR	2.280	0.650	1.400
F4P GPC-2	1 1/4" - 2"	10 SOL - 2 STR	3.600	0.750	1.690
F4P GPC-4	2 1/2" - 4"	10 SOL - 2 STR	6.350	0.970	3.750
F4P GPC-1DB	1/2" - 1"	10 SOL - 2 STR	2.280	0.650	1.400

LINE DRAWING



Application and Performance Specification is Subject to Change Without Notification.



PART NUMBER:	DATE:
PROJECT #:	TYPE:
PREPARED BY:	

ORDERING INFORMATION

Part Number: F4P GPC-1

Part Number: F4P GPC-2

Part Number: F4P GPC-4

Part Number: F4P GPC-1DB

Stock Code: 0302-7489

Stock Code: 0302-7501

Stock Code: 0302-7504

Stock Code: 0302-7507

Case Quantity: 20

Case Quantity: 10

Case Quantity: 6

Case Quantity: 20

Application and Performance Specification is Subject to Change Without Notification.



PART NUMBER:	DATE:
PROJECT #:	TYPE:
PREPARED BY:	



F4P COPPER SPLIT BOLTS SERIES SPECIFICATION

These solderless service split-bolt connectors are made of high-strength copper alloy and are used for copper and copperweld wire connections.

FEATURES

- High Strength Solderless Service Connector Made of High-Copper Alloy for Copper and Copperweld Wires.
- Type for Two Maximum Wire Sizes



PHYSICAL SPECIFICATIONS

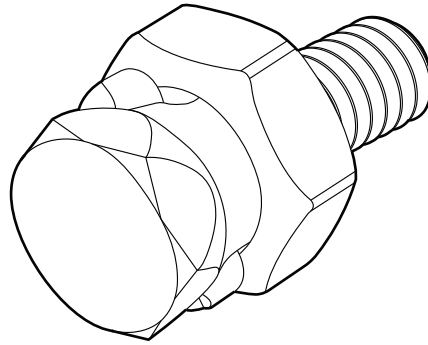
PART NUMBER	COPPER CONDUCTOR		MAXIMUM CONDUCTOR COPPERWELD				REC. TORQUE (IN. LB.)
	RANGE OF EQUAL MAIN & TAP (MIN.)	RANGE OF EQUAL MAIN & TAP (MAX.)	MIN. TAP WITH ONE MAX MAIN	STR.	TYPE A	WIRE DIA. RANGE (IN.)	
F4P SB8UL	16 STR	8 STR	16 STR	-	-	0.057 - 0.145	80
F4P SB6UL	10 SOL	6 SOL	16 SOL	-	-	0.102 - 0.162	165
F4P SB4UL	8 SOL	4 SOL	16 SOL	3 NO. 12	8A	0.128 - 0.204	165
F4P SB2UL	6 SOL	2 STR	14 STR	3 NO. 7	3A	0.162 - 0.292	275
F4P SB1/0UL	4 SOL	1/0 STR	14 SOL	3 NO. 6	2A	0.204 - 0.375	385
F4P SB2/0UL	2 SOL	2/0 STR	14 STR	3 NO. 5	-	0.258 - 0.413	885
F4P SB3/0UL	2 SOL	3/0 STR	12 SOL	7 NO. 7	-	0.258 - 0.470	500
F4P SB250UL	1/0 SOL	250 MCM	10 SOL	7 NO. 5	-	0.325 - 0.575	650
F4P SB350UL	4/0 STR	350 MCM	8 SOL	19 NO. 7	-	0.528 - 0.682	650
F4P SB500UL	250 MCM	500 MCM	8 SOL	19 NO. 6	-	0.575 - 0.815	825

Application and Performance Specification is Subject to Change Without Notification.



PART NUMBER:	DATE:
PROJECT #:	TYPE:
PREPARED BY:	

LINE DRAWING



ORDERING INFORMATION

Part Number: F4P SB2UL	Stock Code: 0302-7510	Case Quantity: 100
Part Number: F4P SB4UL	Stock Code: 0267-0813	Case Quantity: 100
Part Number: F4P SB6UL	Stock Code: 0267-0816	Case Quantity: 75
Part Number: F4P SB8UL	Stock Code: 0267-0819	Case Quantity: 40
Part Number: F4P SB1/OUL	Stock Code: 0302-7513	Case Quantity: 20
Part Number: F4P SB2/OUL	Stock Code: 0302-7516	Case Quantity: 15
Part Number: F4P SB3/OUL	Stock Code: 0302-7519	Case Quantity: 10
Part Number: F4P SB25OUL	Stock Code: 0302-7522	Case Quantity: 6
Part Number: F4P SB35OUL	Stock Code: 0302-7525	Case Quantity: 4
Part Number: F4P SB50OUL	Stock Code: 0302-7528	Case Quantity: 3

Application and Performance Specification is Subject to Change Without Notification.



PART NUMBER:	DATE:
PROJECT #:	TYPE:
PREPARED BY:	

F4P ALUMINUM SINGLE BARREL LUG SERIES SPECIFICATION



These versatile and reusable set screw connectors are made from aluminum and are tin plated for low contact resistance. Rated for 600 volts.

FEATURES

- Versatile and Reusable Set-Screw Connectors Made of 6061T-6 Aluminum Alloy
- Electro-tin Plated for Low Contact Resistance
- For Use With Copper or Aluminum Conductors



PHYSICAL SPECIFICATIONS

PART NUMBER	WIRE RANGE	MTG. BOLT SIZE	TORQUE VALUE (IN./LBS.)	WRENCH SIZE	MTG. HOLE DIA.	LENGTH (L)	WIDTH (W)	HEIGHT (H)	TANG LENGTH (A)	TANG WIDTH (B)	TANG THICKNESS (C)
F4P LMAS-4	4 - 14 AWG	1/4"	45	SLOTTED	0.265	1.060	0.375	0.500	0.250	0.690	0.094
F4P LMAS-2	2 - 14 AWG	1/4"	50	SLOTTED	0.265	1.160	0.500	0.550	0.310	0.690	0.100
F4P LMAS-0	1/0 - 14 AWG	1/4"	120	3/16"	0.265	1.470	0.630	0.790	0.440	0.850	0.190
F4P LMAS-2/0	2/0 - 14 AWG	1/4"	120	3/16"	0.265	1.470	0.630	0.790	0.440	0.850	0.190

PERFORMANCE SPECIFICATIONS

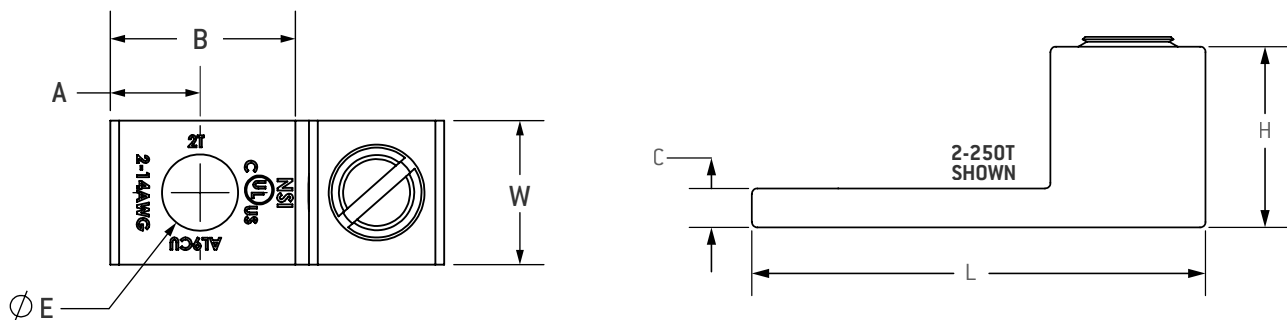
Temperature Rating: 194°F (90°C)

Voltage: 600V

Max Voltage: 2000V per UL486B

Certifications: cULus Listed; UL 486A/B Listed

LINE DRAWING



Application and Performance Specification is Subject to Change Without Notification.



PART NUMBER:	DATE:
PROJECT #:	TYPE:
PREPARED BY:	

ORDERING INFORMATION

Part Number: F4P LMAS-0

Part Number: F4P LMAS-2

Part Number: F4P LMAS-2/0

Part Number: F4P LMAS-4

Stock Code: 0294-6135

Stock Code: 0294-6168

Stock Code: 0294-6162

Stock Code: 0294-6174

Case Quantity: 100

Case Quantity: 100

Case Quantity: 50

Case Quantity: 50

Application and Performance Specification is Subject to Change Without Notification.



PART NUMBER:	DATE:
PROJECT #:	TYPE:
PREPARED BY:	

F4P GROUND ROD CLAMPS SERIES SPECIFICATION



Our ground rod clamps are made from silicon bronze for high durability and strength. UL listed for direct burial in Earth or concrete.

FEATURES

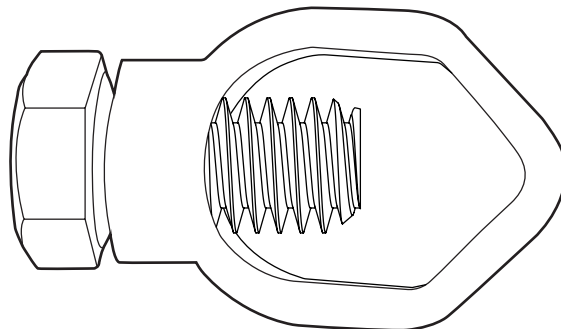
- Ground Rod Clamps are Made From Silicon Bronze with 304 Stainless Screws for Maximum Strength.
- All Standard Duty and Heavy Duty Ground Clamps are UL Listed for Direct Burial in Earth or Concrete
- cULus Listed 467 Grounding and Bonding



PHYSICAL SPECIFICATIONS

PART NUMBER	MATERIAL	GROUND ROD SIZE	REBAR SIZE	GROUND WIRE MAXIMUM
F4P GRC-34	Silicon Bronze w/ Stainless Steel Screw	3/4"	5/8"	10 SOL - 4 STR
F4P GRC-50	Silicon Bronze w/ Stainless Steel Screw	1/2"	3/8"	10 SOL - 2 STR
F4P GRC-58	Silicon Bronze w/ Stainless Steel Screw	5/8"	1/2"	10 SOL - 2 STR
F4P GRC-3834*	Silicon Bronze w/ Stainless Steel Screw	3/4", 3/8", 5/8" & 1/2"	3/8", 1/2" & 5/8"	10 SOL - 1/0 STR
F4P GRC-38	Silicon Bronze w/ Stainless Steel Screw	3/8"	-	10 SOL - 2 STR

LINE DRAWING



*NOT UL Listed.

Application and Performance Specification is Subject to Change Without Notification.



PART NUMBER:	DATE:
PROJECT #:	TYPE:
PREPARED BY:	

ORDERING INFORMATION

Part Number: F4P GRC-34

Part Number: F4P GRC-50

Part Number: F4P GRC-58

Part Number: F4P GRC-3834

Part Number: F4P GRC-38

Stock Code: 0294-6213

Stock Code: 0294-6216

Stock Code: 0294-6219

Stock Code: 0302-7531

Stock Code: 0302-7534

Case Quantity: 20

Case Quantity: 25

Case Quantity: 25

Case Quantity: 25

Case Quantity: 50

**NOT UL Listed.*

Application and Performance Specification is Subject to Change Without Notification.